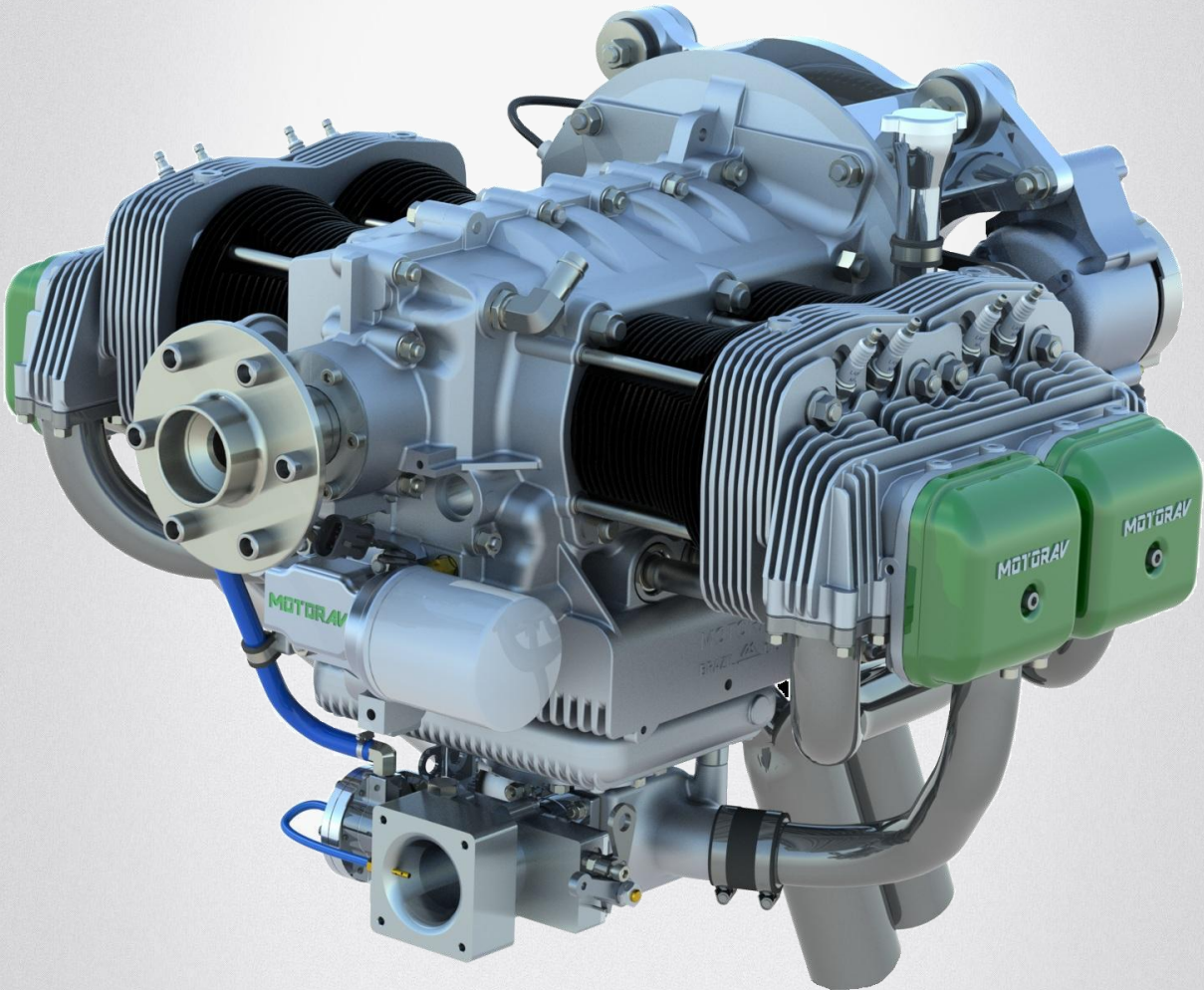


MOTORAV

AIRCRAFT ENGINES

An engine you can Trust



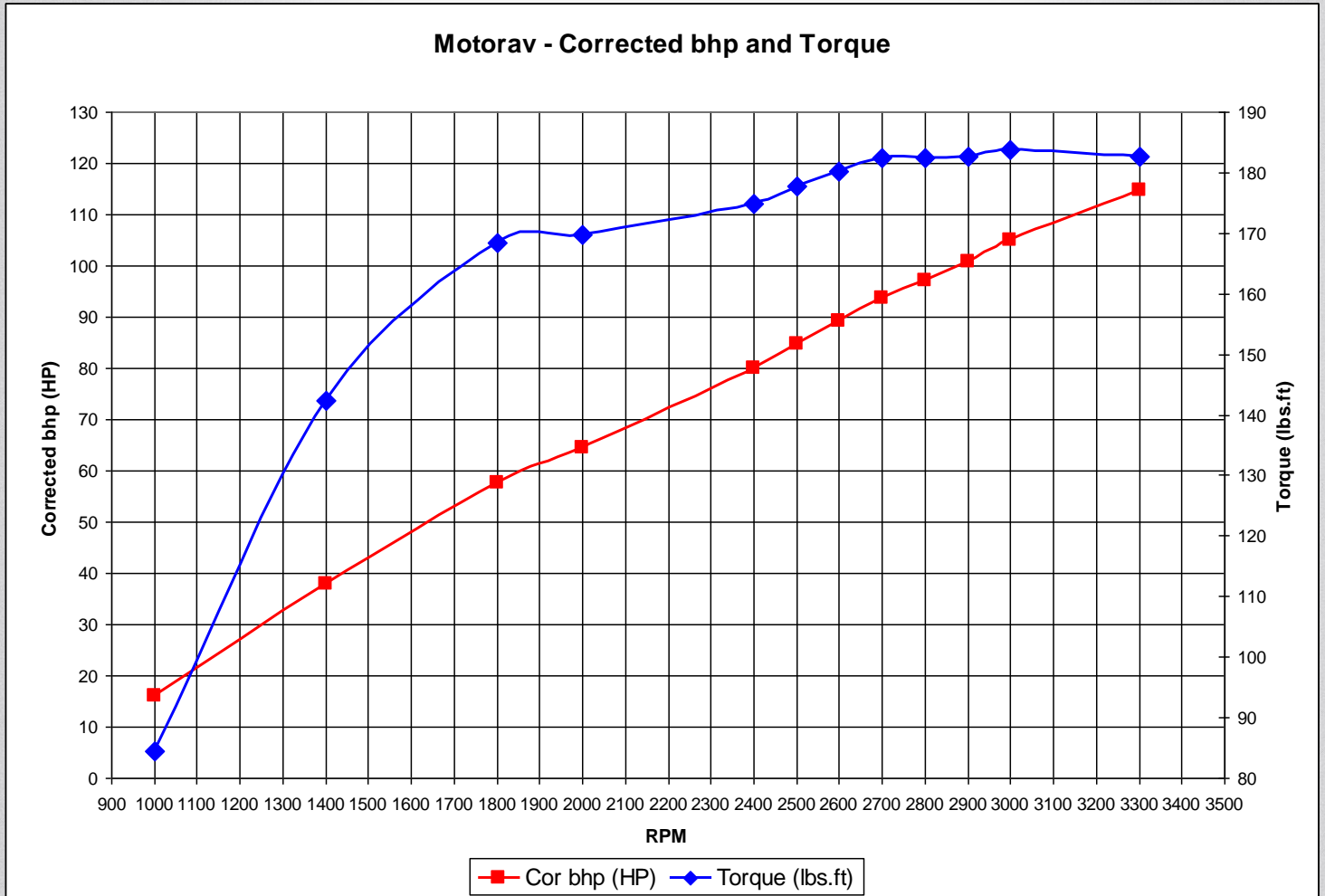
100 HP @ 2900 rpm

T.B.O. – 1200 hours

Dry weight (including alternator) – 189 lbs

From the mine to your aircraft

Motorav's Power and Torque Measured Curves



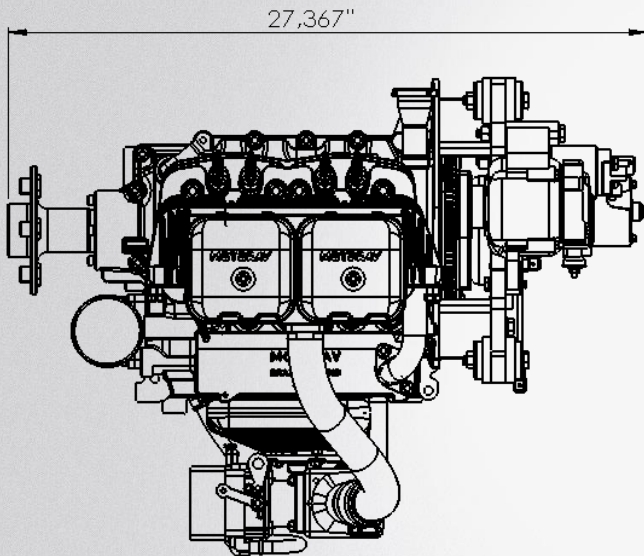
Website: www.motorav.com

E-mail: sales@motorav.com

Contact: USA: +1 205 981 2200
Other areas: + 55 31 3329 4005

MOTORAV
AIRCRAFT ENGINES

Engine Specifications



Performance:

- Rated Power (HP) – 100 @ 2900 rpm
- TBO – 1200 h

Cylinders:

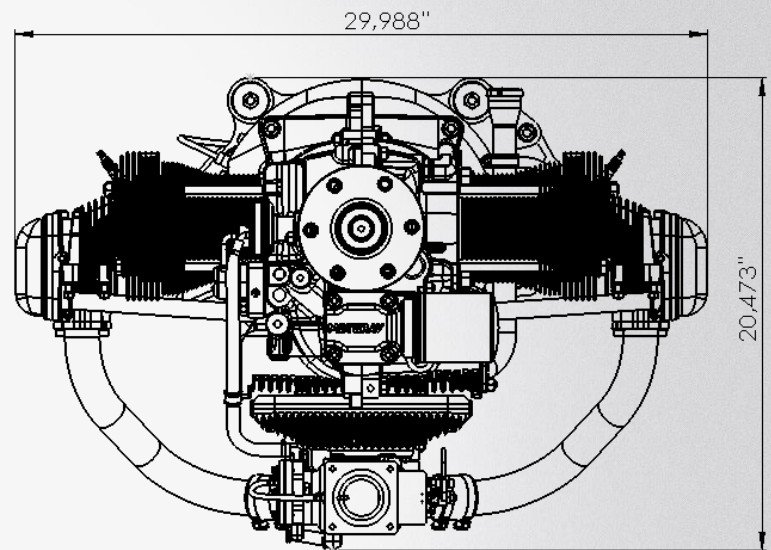
- Number of Cylinders – 4
- Bore (inches) – 3.878
- Stroke (inches) – 3.701
- Displacement (cubic inches) – 175
- Compression Ratio – 8.5 : 1

Fuel:

- Aviation grade, Octane 100 / 100 LL
- Fuel consumption @ 75% (GPH) – 6.0 to 8.0

Dimensions & Weight:

- Height (inches) – 20.5
- Width (inches) – 30.0
- Length (inches) – 27.4
- Minimum runnable dry weight including alternator (lbs) – 189



Oil:

- Sump capacity (quarts) – 4,0
- 15W50 or equivalent

Main Features:

- Magnesium alloy AS41 engine Case;
- Direct drive;
- Nitrided crankshaft w/ integral propeller flange;
- Dual spark plugs;
- Throttle body injector;
- Hydraulic valve lifters;
- Dual electronic ignition;
- CW or CCW rotation options;
- Primary alternator of 12V/20A;
- Secondary optional alternator 12V/50A;
- Integral oil filter;
- Optional engine mounted or remote mounted oil cooler and oil filter.

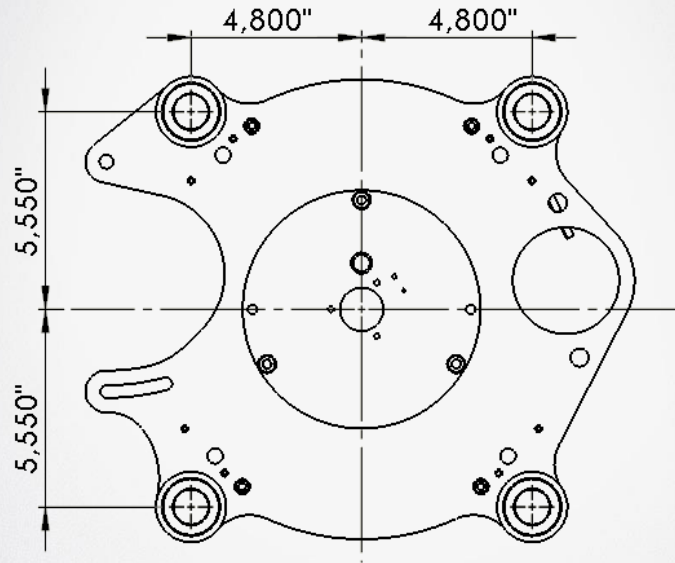
Website: www.motorav.com

E-mail: sales@motorav.com

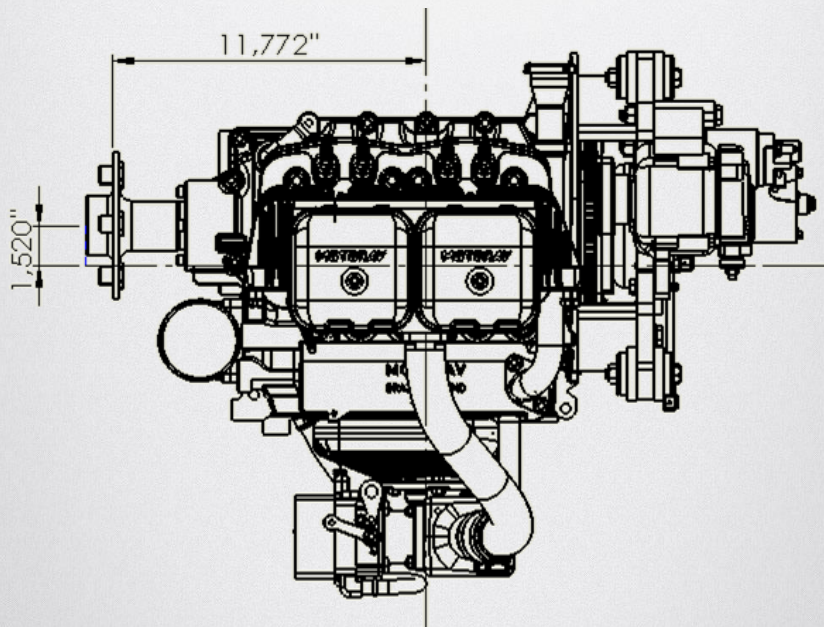
Contact: USA: +1 205 981 2200
Other areas: + 55 31 3329 4005

MOTORAV
AIRCRAFT ENGINES

Standard Motorav's assembly position



Motorav's gravity center



Website: www.motorav.com

E-mail: sales@motorav.com

Contact: USA: +1 205 981 2200
Other areas: + 55 31 3329 4005

MOTORAV

AIRCRAFT ENGINES